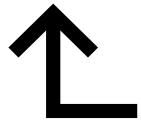


matemodular.com

**KADNAR
GROUP**



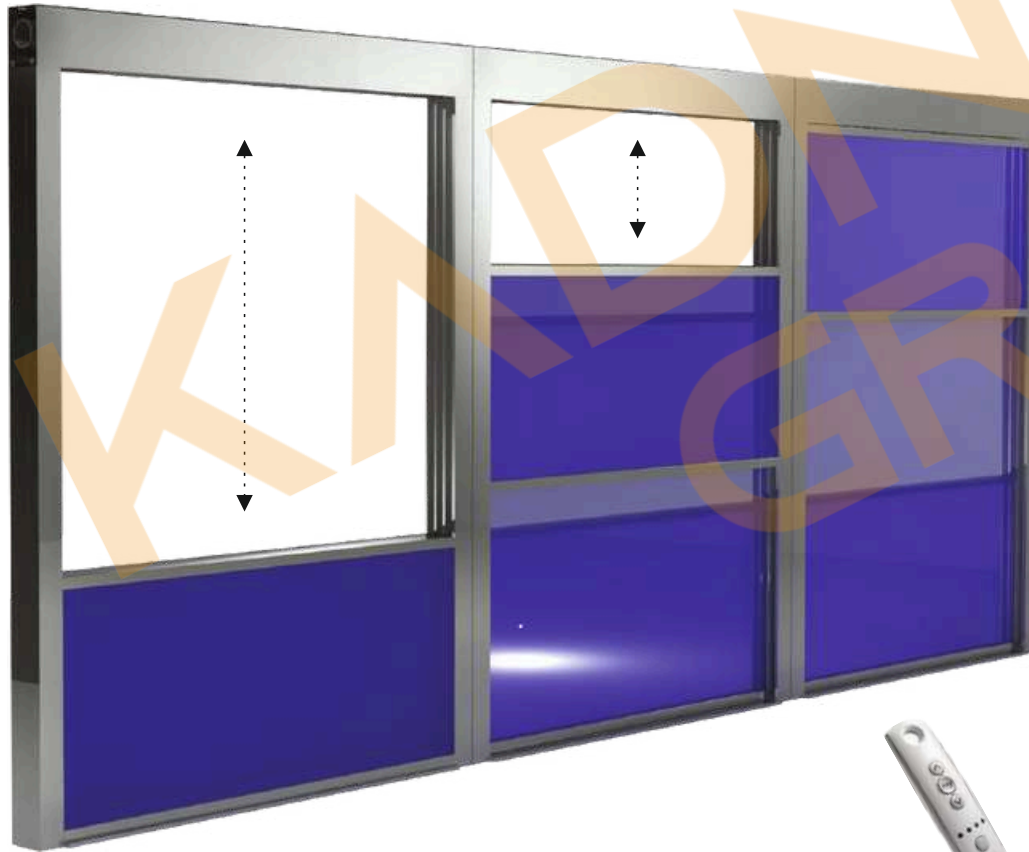
kadnargroup.com



Mate Modular is a member of Kadnar Group



THE BEST ENGINES
THAT WE PROPOSAL TO YOU





1700-193
BEMUS DIRABZAN
1.130 KG/M



ACCORDING TO CUSTOMER REQUEST
SYSTEM BOTTOM PROFILE
1.400 KG/M



BEMUS DIKME
& KAPATMASI
2.995 KG/M



1700-178
BEMUS DIKME
2.110 KG/M

1700-181
BEMUS DIKME
K APATMASI
0.885 KG/M



ENGINE PIPE
(IRON)



1700 - 192
ENGINE BOX
1.265 KG/M X 2



1700 - 192
ENGINE BOX (SEPARATELY)
1.265 KG/M (1 PICES)



1700-191
BEMUS BAZA
0.505 KG/M



1700-179
BEMUS BAZA
0.670 KG/M

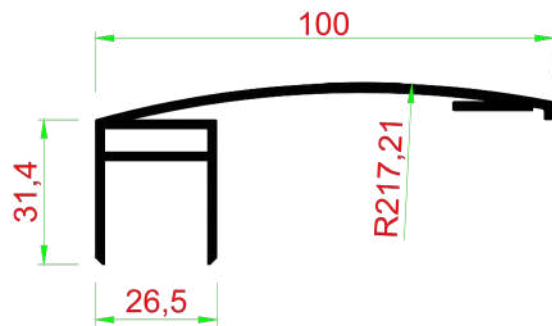


1700-194
BEMUS 8MM - U
0.395 KG/M

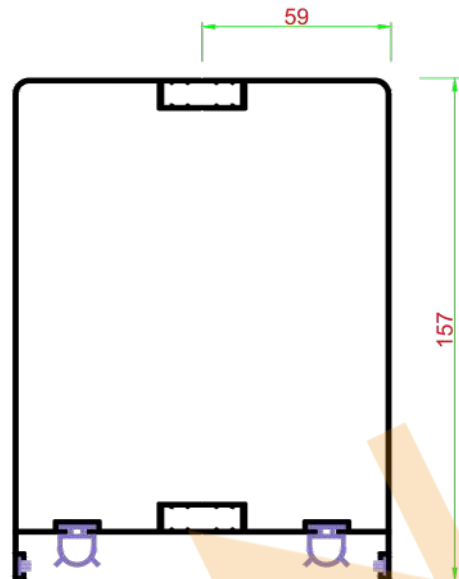


SUITABLE FOR LARGE WIDTHS
BEMUS SPECIAL BAZA
0.950 KG/M

ALUMINUM PARTS



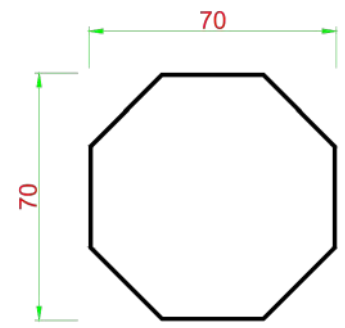
1700-193
BEMUS DIRABZAN
1.130 KG/M



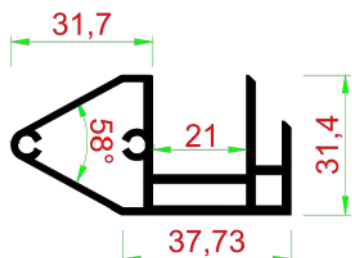
1700 - 192
BEMUS ENGINE BOX
1.265 KG/M X 2



1700 - 192
BEMUS ENGINE BOX
1.265 KG/M

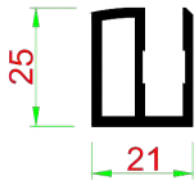


ENGINE PIPE
(IRON)

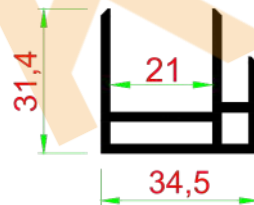


BEMUS SPECIAL BAZA
0.950 KG/M

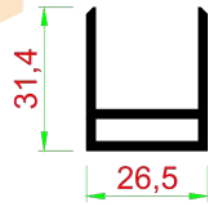
SUITABLE FOR LARGE WIDTHS



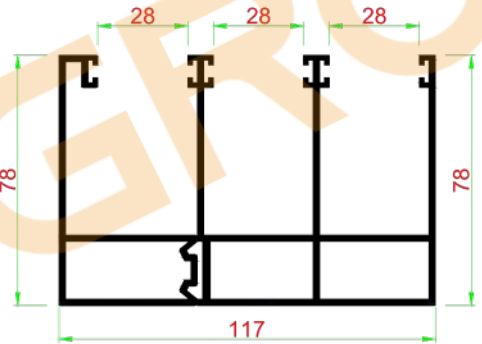
1700-194
BEMUS 8MM - U
0.395 KG/M



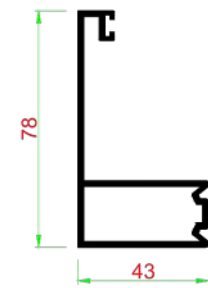
1700-179
BEMUS BAZA
0.670 KG/M



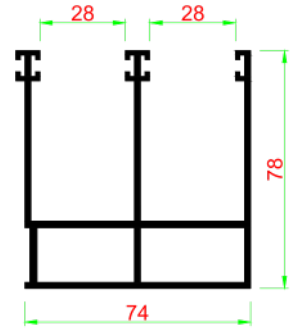
1700-191
BEMUS BAZA
0.505 KG/M



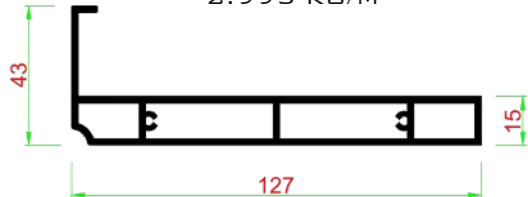
BEMUS DIKME
& KAPATMASI
2.995 KG/M



1700-181
BEMUS DIKME
K APATMASI
0.885 KG/M



1700-178
BEMUS DIKME
2.110 KG/M



SYSTEM BOTTOM PROFILE
1.400 KG/M

ACCORDING TO CUSTOMER REQUEST

ENGINE BOX

BRISTLE
CLAY WICK

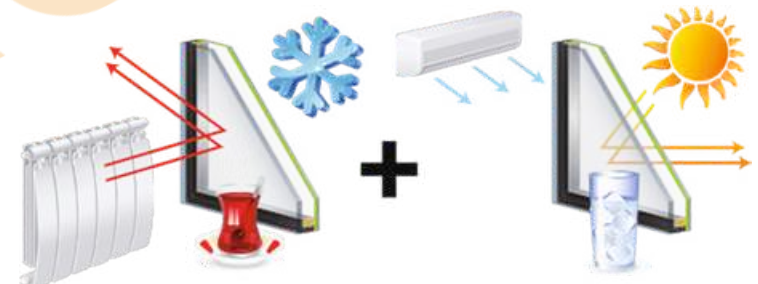
FIXED / MOVABLE
GLASS / COMPOSITE

GLASS / COMPOSITE
Attached With Chains

GLASS / COMPOSITE
Attached With Chains
FIXED / MOVABLE

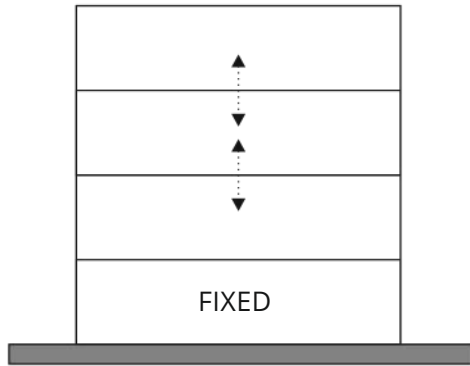


ACCESSORIES USED FOR SEAMS FOR SOUND AND AIR

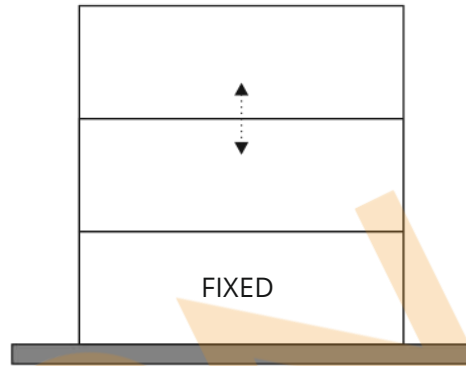


DOUBLE GLAZING

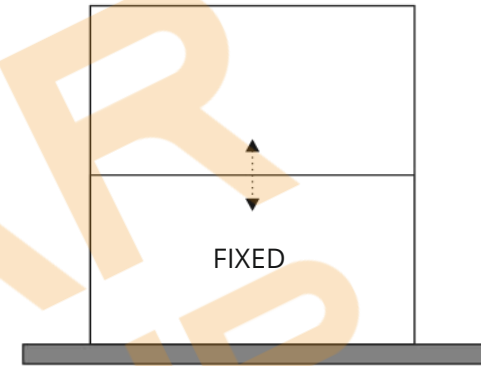
POSITIONS OF GUILLOTINE SYSTEM



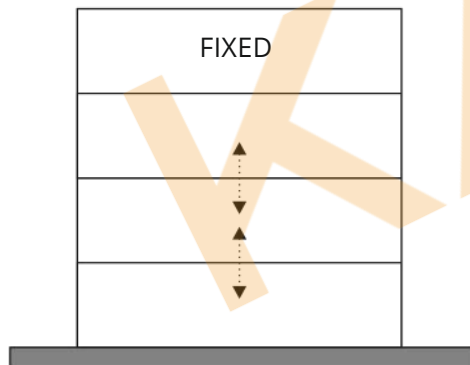
4X PANEL,4X TRACKS
GLASS / COMPOSITE



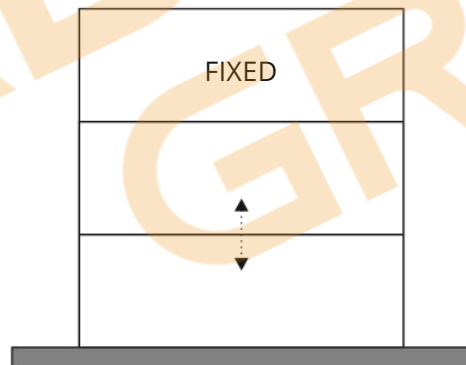
3X PANEL,3X TRACKS
GLASS / COMPOSITE



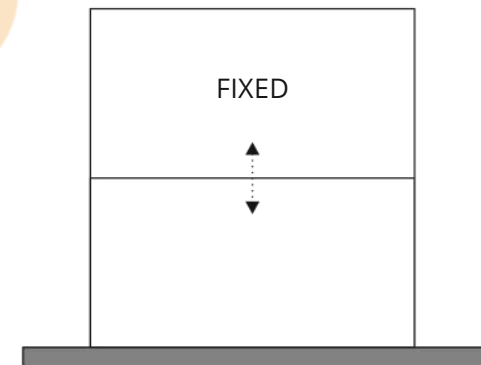
2X PANEL,2X TRACKS
GLASS / COMPOSITE



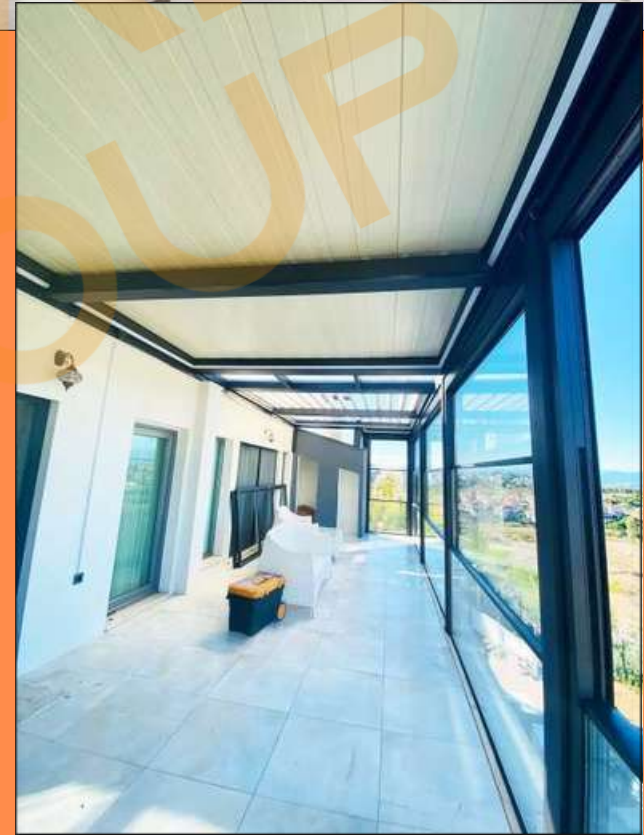
4X PANEL,4X TRACKS
GLASS / COMPOSITE



3X PANEL,3X TRACKS
GLASS / COMPOSITE



2X PANEL,2X TRACKS
GLASS / COMPOSITE





matemodular.com

KADNAR GROUP

kadnargroup.com

Eddie W.

Sales Manager

+90 546 842 47 27

sales@kadnargroup.com

İstanbul / Türkiye

Mustafa K.

Export Manager

+90 555 159 5353

export@kadnargroup.com

İstanbul / Türkiye

Cankat A.

Marketing Manager

+90 544 291 9353

marketing@kadnargroup.com

İstanbul / Türkiye

Osman A.

Export Manager

+49 15510 669637

export1@kadnargroup.com

İstanbul / Türkiye

Mate Modular is a member of Kadnar Group